

4

3

2

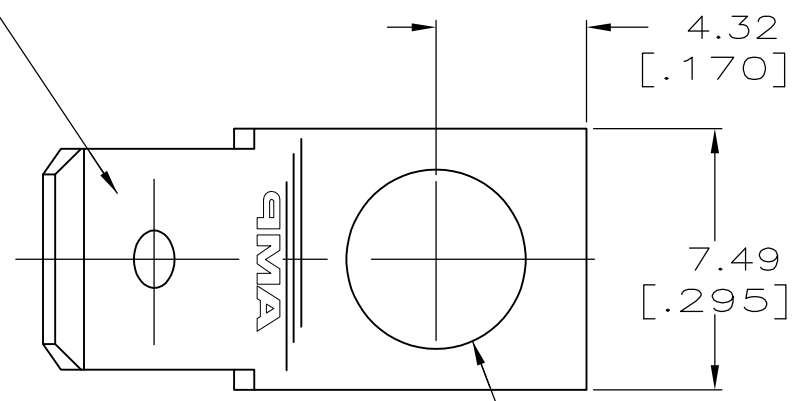
1

THIS DRAWING IS UNPUBLISHED. RELEASED FOR PUBLICATION -,-
 © COPYRIGHT - By - ALL RIGHTS RESERVED.

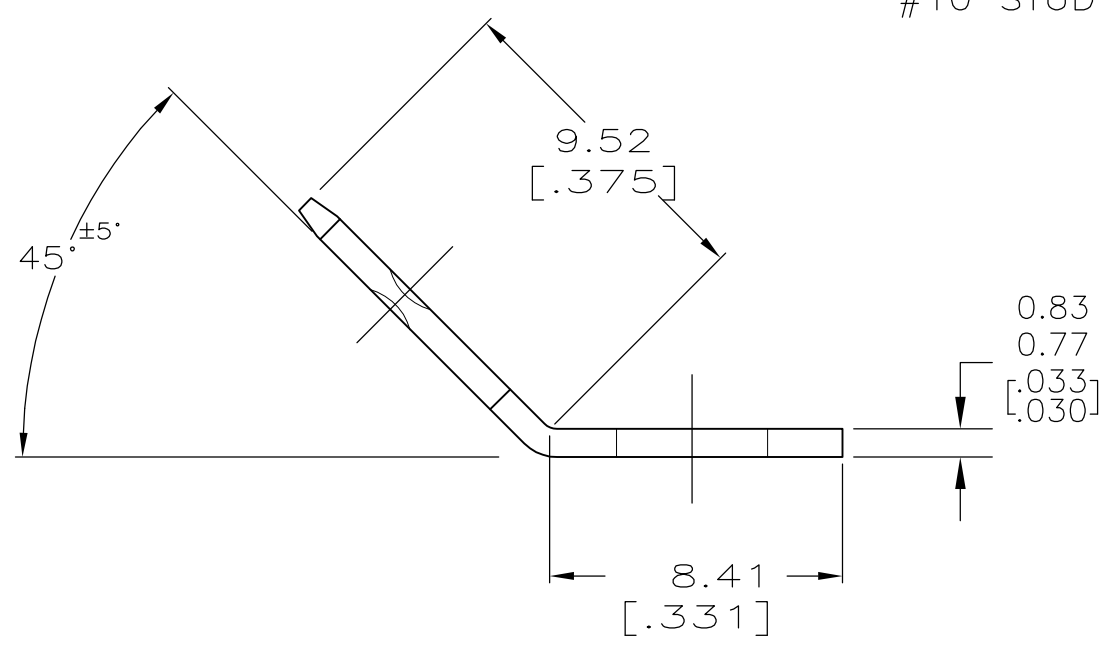
LOC	DIST	REVISIONS					
AF	50	P	LTR	DESCRIPTION	DATE	DWN	APVD
		G1		REVISED PER ECO-11-004917	11MAR11	RK	HMR

1 SUPPLIED IN LOOSE PIECE.

FITS 6.35 [.250] SERIES FASTON RECEPTACLE



± 0.076 ± 0.003
 5.00 [.197]
 #10 STUD HOLE



61499-1
 PART NO

THIS DRAWING IS A CONTROLLED DOCUMENT.		DWN	JR RUTH	11/12/91	 TE Connectivity TAB, FASTON,™ 6.35 [.250] SERIES	RESTRICTED TO				
DIMENSIONS: mm[INCHES]		CHK	MS FEHER	11/12/91		NAME SIZE CAGE CODE DRAWING NO A3 00779 C-61499	-			
TOLERANCES UNLESS OTHERWISE SPECIFIED:		APVD	C MEYERS	11/12/91			PRODUCT SPEC APPLICATION SPEC WEIGHT -	-		
0 PLC ± - 1 PLC ± - 2 PLC ± 0.25 [.010] 3 PLC ± - 4 PLC ± - ANGLES ± -		MATERIAL				FINISH				
		082 BRASS			TIN					
CUSTOMER DRAWING					SCALE	5:1	SHEET	1 OF 1	REV	G1